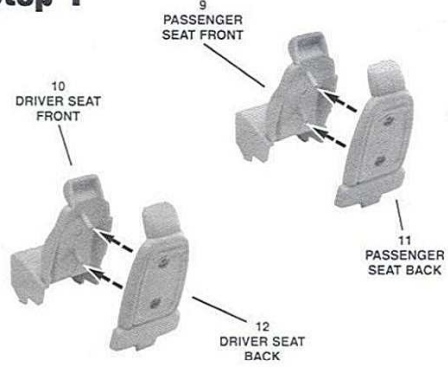
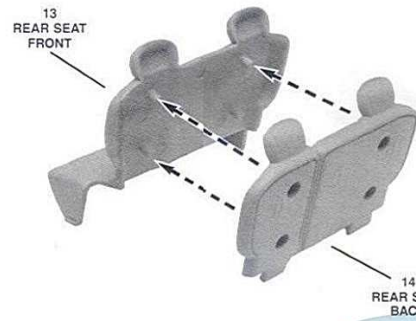


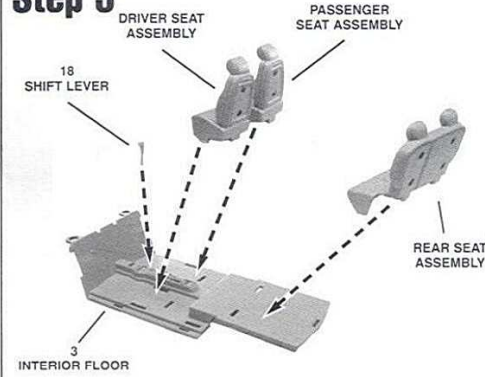
### Step 1



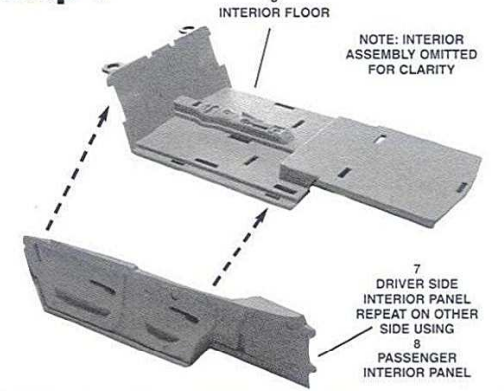
### Step 2



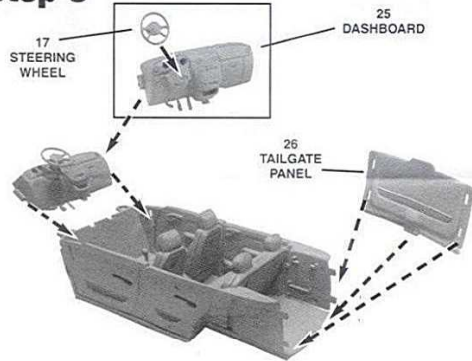
### Step 3



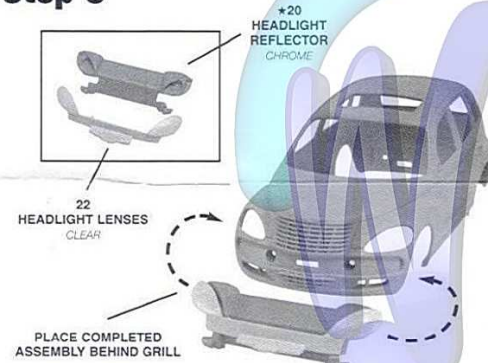
### Step 4



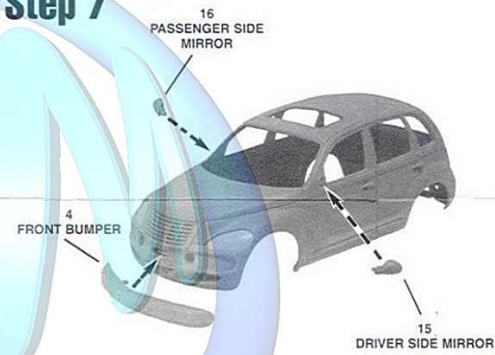
### Step 5



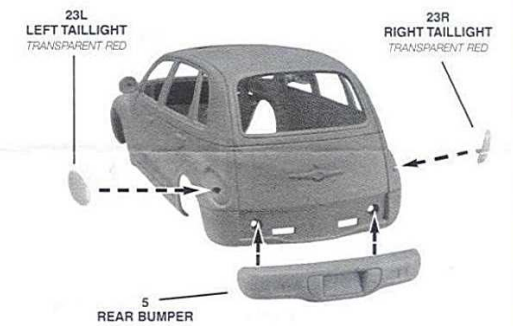
### Step 6



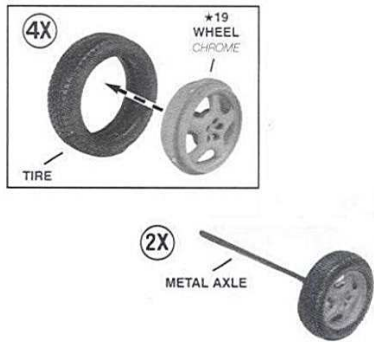
### Step 7



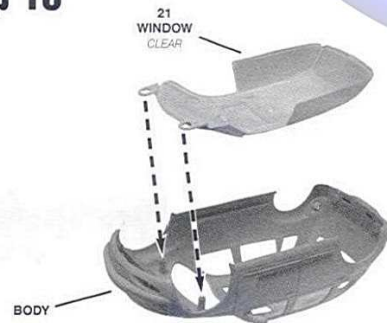
### Step 8



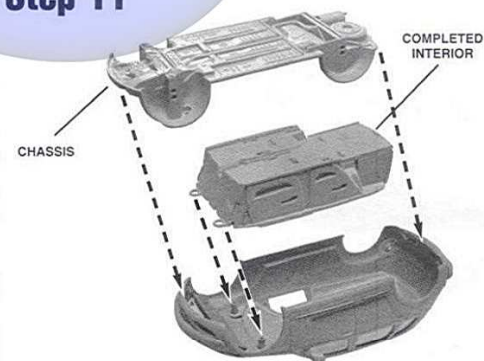
### Step 9



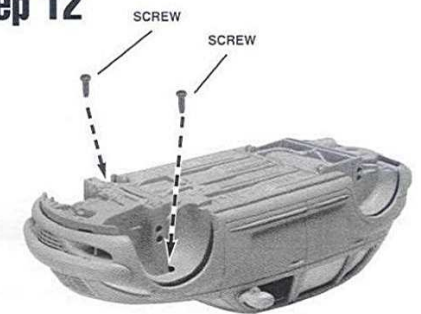
### Step 10



### Step 11



### Step 12



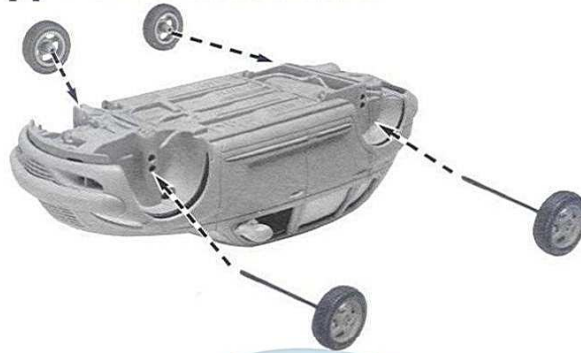
## Step 13

NOTICE 2 DIFFERENT AXLES HOLES, THE ONE CLOSER TO THE BODY IS THE LOWRIDER VERSION. THE OTHER HOLE IS THE STANDARD VERSION



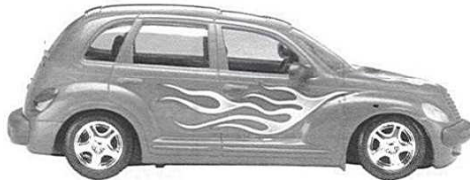
## Step 14

WHEELS SHOWN WITH ATTACHED METAL AXLES



## Step 15

### Sticker Placement Guide



PLACE "PT CRUISER" STICKER ON YOUR "ADVENTURES BUILT" COLLECTOR POSTER. YOU CAN PUT YOUR "WHEELS OF FIRE" STICKER ON A BACKPACK, A NOTEBOOK OR WHEREVER YOU WANT!

#### NOTE:

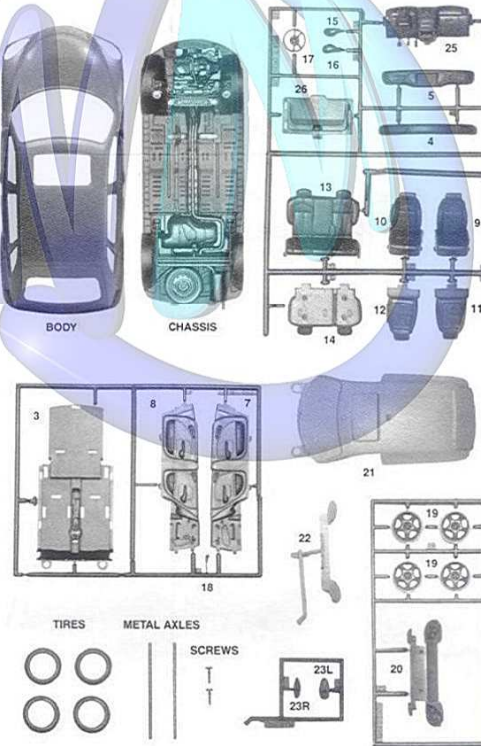
When applying stickers, avoid touching the "sticky" side to prevent finger prints on stickers. Bend sticker sheet slightly to lift edge of sticker & use a fingernail to lift sticker from sheet. Line up sticker on body and press an edge into place, slowly working sticker with a finger nail until sticker is fully on model.

#### REMARQUE:

Pendant l'application des autocollants, éviter de toucher à la face collante pour ne pas laisser d'empreintes. Plier légèrement la feuille d'autocollants pour relever le bord d'un autocollant, et le détacher de la feuille avec le bout d'un ongle. Aligner l'autocollant sur la carrosserie, appuyer pour coller un de ses bords, et continuer à l'appliquer lentement du bout de l'ongle jusqu'à ce qu'il soit complètement collé sur le modèle réduit.

### Parts Included

ANY UNUSED PARTS MAY BE DISCARDED



KIT 1914



PT CRUISER

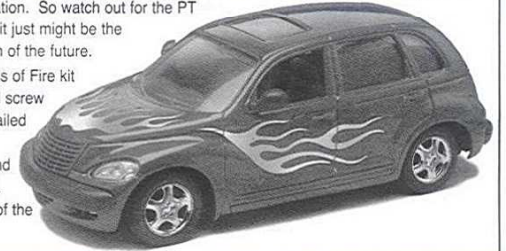
85191400200

"Too cool to categorize" in Chrysler's own words. And when a car maker describes its newest vehicle in those terms, you know you're dealing with something very different indeed. Is it a car, an SUV, or something entirely new? It could very well be the vehicle that, along with its hot rod cousin, the Prowler, sends car design spinning off in a whole new direction for the first time in decades.

It's been described as everything from a '30s sedan to a '40s Woodie to a London taxi-cab. However you describe it, it certainly doesn't look like anything else on the road and when you see one coming towards you, there's no mistaking what it is.

And don't be fooled by the PT Cruiser's size, it may look tiny, but it's got plenty of room inside. With more headroom than the full-size Dodge Durango and comfortable seats, enough to handle 5 passengers plus all their luggage, the little Cruiser lives up to its PT, which stands for Personal Transportation. So watch out for the PT Cruiser. If we're lucky, it just might be the Personal Transportation of the future.

Your Revell Wheels of Fire kit features easy snap and screw together assembly, detailed interior and chassis, chrome plated parts, and colorful optional decals. Enjoy building your kit of the PT Cruiser!



\* REMOVE AND THROW AWAY  
\* A RETIRER ET JETER



\* OPTIONAL PARTS  
\* PIÈCES EN OPTION



\* REPEAT SEVERAL TIMES  
\* A REPETER PLUSIEURS FOIS



\* APPLY STICKERS  
\* APPLIQUEZ LES AUTO-COLLANTS

#### READ BEFORE YOU BEGIN

- CLEAR A SPACE TO WORK ON
- STUDY THE ASSEMBLY DRAWINGS BEFORE YOU BEGIN
- EACH PLASTIC PART IS IDENTIFIED BY A PART NUMBER
- DO NOT OVER TIGHTEN SCREWS
- SEE NOTE ABOUT APPLYING STICKERS IN STEP #15

CAUTION:  
POSITION ALL PARTS IN THIS KIT CAREFULLY. PARTS WILL ONLY SNAP TOGETHER ONCE.

#### À LIRE AVANT DE COMMENCER

- DÉGAGEZ UN ESPACE POUR TRAVAILLER.
- ÉTUDIEZ LES ÉTAPES DE MONTAGE AVANT DE COMMENCER.
- CHAQUE PIÈCE EN PLASTIQUE PORTE UN NUMÉRO DE PIÈCE.
- NE SERREZ PAS TROP LES VIS.
- LISEZ LA REMARQUE CONCERNANT L'APPLICATION DES AUTO-COLLANTS, À L'ÉTAPE 15.

MISE EN GARDE:  
POSITIONNEZ AVEC PRÉCAUTION TOUTES LES PIÈCES DE CE MODÈLE RÉDUIT, CAR VOUS NE POUVEZ LES EMBOÏTER QU'UNE SEULE FOIS.

If you have any questions or comments, call our hotline at: (800) 833-3570 or, please write to:

Revell-Monogram Consumer Service Department, 8601 Waukegan Road, Morton Grove, Illinois 60053

Be sure to include the plan number (85191400200), part number, description, your return address and phone number.

Visit our website: [www.revell-monogram.com](http://www.revell-monogram.com)

REVELL-MONOGRAM LLC Morton Grove, IL. Copyright © 2000. All rights reserved.